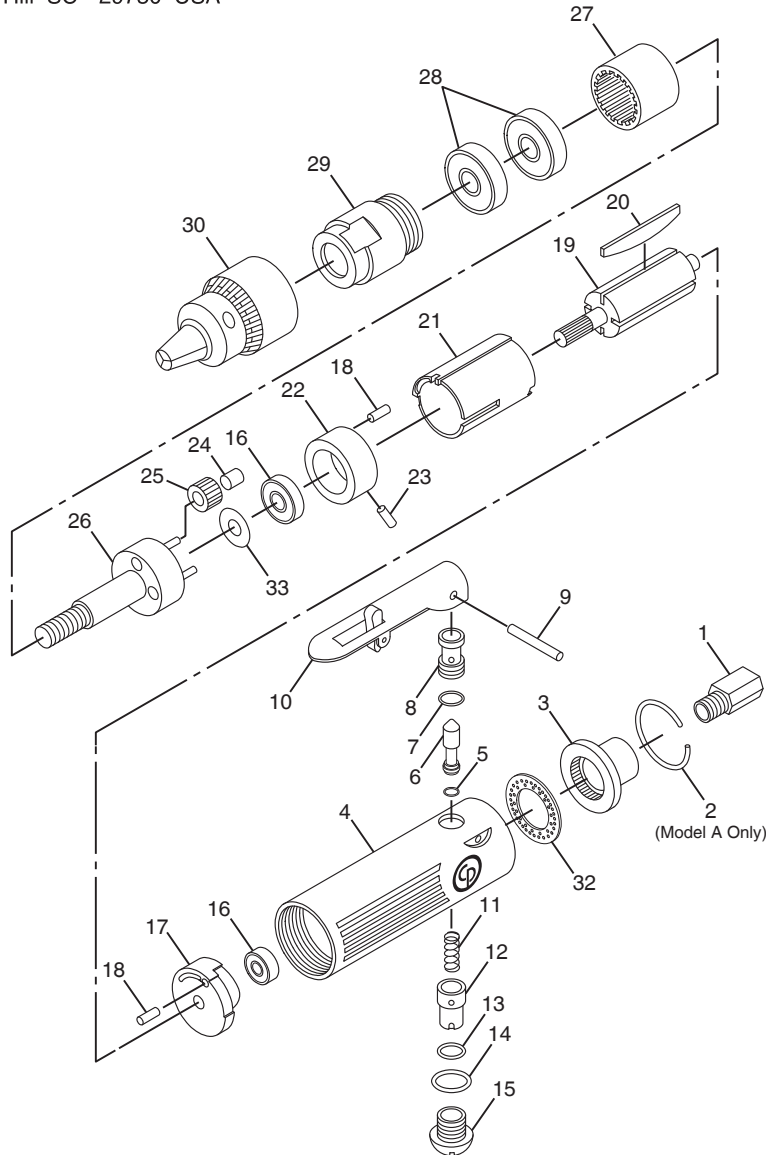




**Chicago
Pneumatic™**

1800 Overview Drive • Rock Hill SC • 29730 USA

**CP887
In-Line Drill**



Index No.	Part No.	Description	No. Req'd.	Index No.	Part No.	Description	No. Req'd.
1	CA144870	Bushing-Air Inlet (Model A)	1	18	CA144887	Pin-Roll	2
	CA157739	Bushing-Air Inlet (Model B)		19	CA144916	Rotor	1
2	CA144871	Ring-Retaining (Model A Only)	1	20	CA144889	Blade Set-Rotor (4)	1
3	CA144872	Deflector-Exhaust (Model A)	1	21	CA144891	Liner	1
	CA157734	Deflector-Exhaust (Model B)		22	CA144917	Plate-Front End (Incl: Index Nos. 18 & 23)	1
4	CA144915	Housing-Motor (Model A)	1	23	CA144893	Pin-Roll	1
	CA157737	Housing-Motor (Model B)		25	CA144919	Gear-Idler (Incl: Bushing)	3
5	CA144874	O-Ring	1	26	CA144920	Spindle	1
6	CA144875	Valve-Throttle	1	27	CA144921	Gear-Internal	1
7	CA144876	O-Ring	1	28	CA145309	Bearing-Ball	2
8	CA144877	Bushing-Throttle Valve	1	29	CA144922	Nut-Clamp	1
9	CA144878	Pin-Roll	1	30	CA144898	Chuck-Drill 3/8"	1
10	CA144879	Lever-Throttle	1	31	CA144813	Decal-Safety Warning (Not Shown)	1
11	CA144880	Spring-Throttle Valve	1	32	CA157735	Silencer	1
12	CA144881	Regulator-Air	1	33	8940158831	Washer	1
13	CA144882	O-Ring	1		CA144918	Motor Assembly (Incl: Index Nos. 16, 17, 19, 20, 21 & 22)(Model A)	1
14	CA144883	O-Ring	1		CA127175	Rear Exhaust Accessory Kit (Model A)	1
15	CA144884	Plug-Throttle Valve	1		CA121582	Chuck-Key (Not Shown)	1
16	CA144885	Bearing-Ball	2				
17	CA144886	Plate-Rear End (Incl. No. 18)	1				