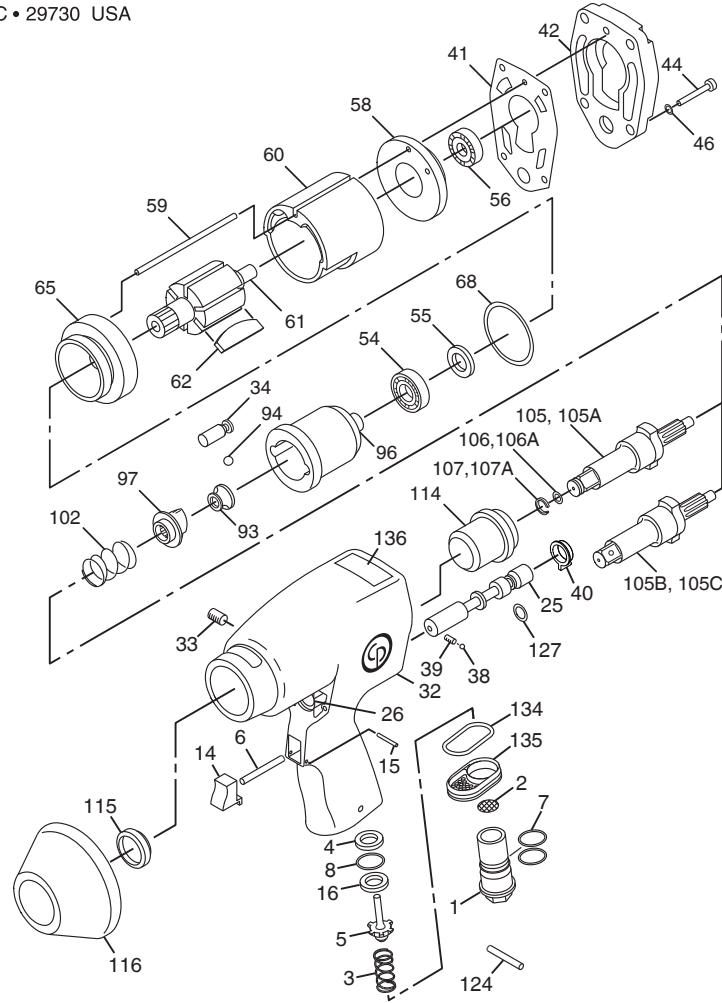




1800 Overview Drive • Rock Hill SC • 29730 USA

RP9524, RP9525, RP9526 & RP9527 Impact Wrench



Index No.	Part No.	Description	No. Req'd.	Index No.	Part No.	Description	No. Req'd.
1	CA147022	Bushing-Air Inlet (1/4 in. NPT)	1	96	KF137788	Cage-Hammer	1
2	CA059037	Screen-Air	1	97	C119091	Cam-Hammer	1
3	CA142464	Spring-Throttle	1	102	KF136495	Spring-Cam Release	1
4	CA149095	Spacer	1	105	CA144779	Shank-Anvil (Friction Ring)	1
5	CA142460	Valve-Throttle	1			(Incl. Index Nos. 106, 107)	
6	CA144831	Pin-Throttle Push	1	105A	KF136506	Shank-Anvil (Friction Ring)	1
7	C105693	O-Ring (-017)	2			(Incl. Index Nos. 106, 107)	
8	CA149096	O-Ring	1	105B	C148521	Shank-Anvil Assembly (Pin Retainer)	1
14	CA147017	Trigger-Throttle	1			(3/8" Sq. Dr. RP9525)	
15	CA144836	Pin-Roll	1	105C	C148522	Shank-Anvil Assembly (Pin Retainer)	1
16	C139037	Seat-Throttle	1			(1/2" Sq. Dr. RP9527)	
25	CA155206	Valve-Reverse	1	106	CA147075	O-Ring (3/8" Sq. Dr.)	1
26	CA155211	Bushing-Reverse Valve	1	106A	P083071	O-Ring (1/2" Sq. Dr.)	1
32	CA157780	Housing-Motor (Incl. Index No. 26, 33, 114, 115, 136)	1	107	CA092093	Retainer-Socket (3/8" Sq. Dr.)	1
33	S089953	Plug-Pipe (1/16 in. NPT)	1	107A	CA089097	Retainer-Socket (1/2" Sq. Dr.)	1
34	KF137787	Pin-Anvil Hammer	2	114	KF136484	Bushing-Anvil Shank	1
38	S008613	Ball	1	115	KF136496	Seal-Oil	1
39	CA147021	Spring-Detent	1	116	KF136485	Shield-Nose	1
40	CA155212	Switch	1	124	R086991	Pin-Roll	1
41	CA155213	Gasket-Housing Cover	1	127	C148187	O-Ring	1
42	CA157781	Cover-Motor Housing	1	134	CA148528	Gasket	1
44	CA088193	Screw-Hex Socket Head	4	135	CA147023	Deflector-Exhaust	1
46	S091250	Lockwasher	4	136	CA157791	Decal-Safety Warning	1
54	S065618	Bearing-Ball	1				
55	C090396	Seal-Grease	1				
56	C075878	Bearing-Ball	1				
58	KF136477	Plate-Rear End	1				
59	KF136504	Dowel-Liner	1				
60	KF136479	Liner	1				
61	KF136481	Rotor	1				
62	KF137810	Blade Set-Rotor	1				
65	KF136482	Plate-Front End	1				
68	C042234	O-Ring	1				
93	C102506	Ball-Pilot	1				
94	C014143	Ball-Steel .219" dia.	1				

Tune-Up Kits
CA157814 (Incl. Index Nos. 7, 8, 41, 55, 62, 68, 106, 106A, 107 & 107A)

Repair Kits
CA157524 (RP9525) (Incl. All Parts in Tune-Up Kit Plus Index Nos. 34, 94, 102 & 105B)
CA157525 (RP9527)
CA157815 (RP9524)
CA157816 (RP9526)