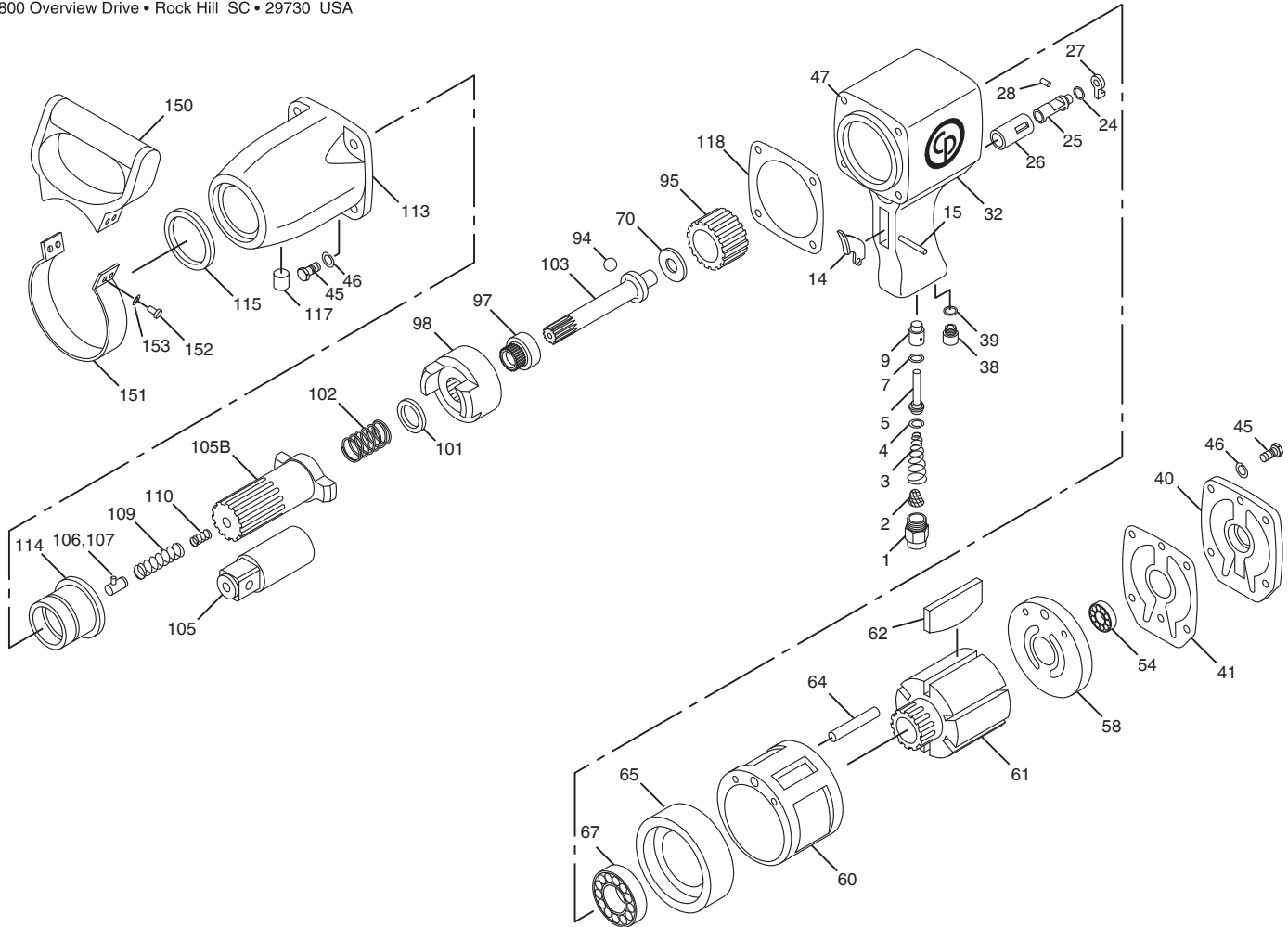




1800 Overview Drive • Rock Hill SC • 29730 USA

RP-9597 Impact Wrench



| Index No. | Part No. | Description | No. Req'd. |
|-----------|----------|---|------------|
| 1 | C094354 | Throttle Cap | 1 |
| 2 | C087505 | Screen-Air | 1 |
| 3 | C117522 | Spring-Valve | 1 |
| 4 | C106818 | Retainer-O-Ring | 1 |
| 5 | C117520 | Valve-Throttle | 1 |
| 7 | A043001 | O-Ring-013 | 1 |
| 9 | C117517 | Bushing-Throttle Valve | 1 |
| 14 | C087934 | Trigger | 1 |
| 15 | S014764 | Pin-Dowel | 1 |
| 16 | CA131376 | Decal-Oil Daily (Not Shown) | 1 |
| 24 | CA083354 | O-Ring | 1 |
| 25 | C106819 | Valve-Reverse | 1 |
| 26* | C088482 | Bushing-Reverse Valve | 1 |
| 27 | C068664 | Lever-Reverse Valve | 1 |
| 28 | G071613 | Gear Pin | 1 |
| 32 | C142842 | Housing-Motor (Incl: Index Nos. 9, 26 & 47) | 1 |
| 38 | C085233 | Plug | 1 |
| 39 | A082777 | O-Ring | 1 |
| 40 | C146888 | Cover-Motor Housing | 1 |
| 41 | C117519 | Gasket Cover | 1 |
| 45 | S067779 | Socket Head Screw (5/16 in. - 18 x 1-1/8 in.) | 8 |
| 46 | S000456 | Lockwasher (5/16 in.) | 8 |
| 47 | C095035 | Insert-Heli-Coil | 8 |
| 54 | C068659 | Bearing-Ball | 1 |
| 58 | C120661 | E Plate-Upper | 1 |
| 60 | C112198 | Liner | 1 |
| 61 | C112196 | Rotor (15 Teeth) | 1 |
| 62 | KF138246 | Blade-Rotor Set (6) | 1 |
| 64 | C066880 | Relief Vlv. Pin | 1 |
| 65 | C120662 | E-Plate Lower | 1 |
| 67 | C066977 | Bearing-Ball | 1 |
| 70 | C112521 | Collar | 1 |
| 94 | CA048425 | Ball-Steel | 1 |
| 95 | C112197 | Coupling | 1 |

| Index No. | Part No. | Description | No. Req'd. |
|-----------|----------|--|------------|
| 97 | C112193 | Cam | 1 |
| 98 | C112200 | Dog | 1 |
| 101 | C112190 | Seat | 1 |
| 102 | C112189 | Spring | 1 |
| 103 | C112201 | Shaft | 1 |
| 105 | C114136 | Anvil-Square Drive (1 in.) | 1 |
| 105B | CA128646 | Anvil-Spline Drive (Incl: Index Nos. 106 & 107) | 1 |
| 106 | CA128647 | Plug-Spline Anvil | 1 |
| 107 | C047620 | Button-Spline Anvil | 1 |
| 113 | C117545 | Housing-Clutch (Incl: Index Nos. 114, 115 & 117) | 1 |
| 114 | C112188 | Bushing | 1 |
| 115 | CA088508 | Seal-Oil | 1 |
| 117 | C054897 | Plug-Pipe (1/8 in.) | 1 |
| 118 | C112186 | Gasket-Clutch Housing | 1 |
| 150 | CA048548 | Handle-Support | 1 |
| 151 | C116388 | Band-Handle | 1 |
| 152 | C064806 | Screw-Allen Cap (1/4 in. - 20 x 5/8 in.) | 4 |
| 153 | S000271 | Lockwasher (1/4 in.) | 4 |
| 154 | CA155779 | Decal-Safety (Not Shown) | 1 |

Tune-Up Kit
CA126992 (Incl: Index Nos. 7, 24, 41, 62, 112, 115 & 118)

Accessories

| CP Ret Ring Part No. | Identification number molded into ring | Inside Diameter of Ret Ring (in.) | For Use on Square Drive (in.) |
|----------------------|--|-----------------------------------|-------------------------------|
| C-155470 | 10008S | 1-3/4" | 1" |
| C-155471 | 10010S | 2" | 1" |
| C-155472* | 10015S | 2-1/8" | 1" |
| C-134692 | 10016S | 2-1/4" | 1" |
| C-155473 | 10017S | 2-1/2" | 1" |
| C-155474 | 10019S | 2-5/8" | 1" |

*Supplied with Tool