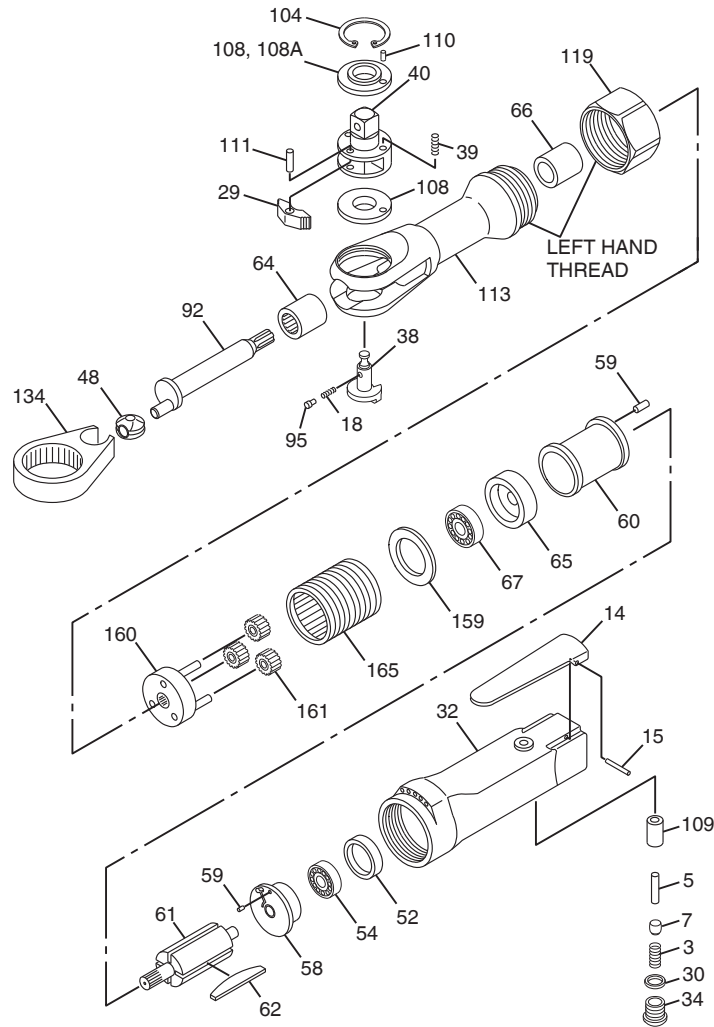




1800 Overview Drive • Rock Hill SC • 29730 USA

RP9429 & RP9430 Impact Wrench



Index No.	Part No.	Description	No. Req'd.	Index No.	Part No.	Description	No. Req'd.
3	<u>KF124390</u>	Spring-Throttle	1	95	<u>KF124418</u>	Pin-Lock	1
5	<u>KF124391</u>	Stem-Valve	1	104	<u>C089956</u>	Ring-Internal Retaining 1.25 dia.	1
7	<u>KF125190</u>	Valve-Throttle	1	108	<u>KF140192</u>	Washer-Thrust (Incl: Index No. 110)	2
14	<u>KF124393</u>	Lever-Throttle	1	108A	<u>KF141030</u>	Washer-Thrust (Incl: Index No. 110)(RP9430)	1
15	<u>KF124394</u>	Pin-Roll	1	109	<u>KF125409</u>	Bushing-Throttle	1
18	<u>KF124395</u>	Spring-Ratchet	1	110	<u>KF140185</u>	Pin-Dowel	2
29	<u>KF124397</u>	Pawl-Ratchet	1	111	<u>KF124425</u>	Pin-Dowel	1
30	<u>A082777</u>	O-Ring-012	1	113	<u>KF140195</u>	Housing Ratchet (Incl: Index Nos. 64 & 66)	1
32	8940158888	Handle-Throttle (Incl: Index No. 109)	1	119	<u>KF124427</u>	Clamp-Housing	1
34	<u>KF134162</u>	Plug-Throttle Valve	1	134	<u>KF124428</u>	Yoke-Ratchet	1
38	<u>CA147984</u>	Button-Reverse (Incl: Plug Grease CA147985)	1	159	<u>KF124429</u>	Washer	1
39	<u>CA154958</u>	Spring-Friction	3	160	<u>KF134168</u>	Spindle-Idler	1
40	<u>CA154957</u>	Shank-Ratchet (RP9429)	1	161	<u>KF134170</u>	Gear-Idler	3
	<u>CA155094</u>	Shank-Ratchet (RP9430)	1	165	<u>KF134171</u>	Housing-Spindle	1
48	<u>KF124404</u>	Bushing-Drive	1		<u>CA144813</u>	Warning Label (Not Shown)	1
52	<u>KF125284</u>	Disc-Plastic	1				
54	<u>S025101</u>	Bearing-Ball	1				
58	<u>KF131001</u>	Plate-Rear End	1				
59	<u>KF124410</u>	Pin-Dowel	1				
60	<u>KF124411</u>	Liner (Incl: Index No. 59)	1				
61	<u>KF134173</u>	Rotor	1				
62	<u>KF138247</u>	Blade-Rotor (Set of 4)	1				
64	<u>KF124500</u>	Bearing-Needle	1				
65	<u>KF124415</u>	Plate-Front End	1				
66	<u>KF134167</u>	Bearing-Plain	1				
67	<u>C087834</u>	Bearing-Ball	1				
92	<u>KF134165</u>	Shaft-Crank	1				

Tune-Up Kit
8940158885 (Incl: Index Nos. 3, 18, 30, 34, 39, 52, 62, 95, & 104)

Ratchet Head Replacement Kit
8940158886 (RP9429), 8940158887 (RP9430)(Incl: Index Nos. 18, 29, 38, 39, 40, 95, 104, 108, 108A, & 111)